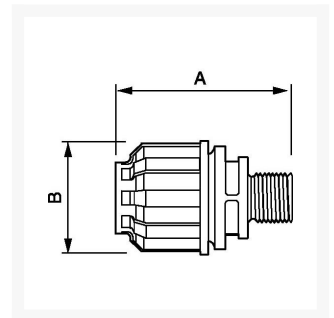




# Coupling 40 mm 1 1/2" male

## Product Images



## Additional Information

---

SKU	9ALRPM4049
EAN	08712418293593
Weight (kg)	0.203000
Length (mm)	97
Width (mm)	80
Construction (material)	Polyamide
Diameter Ø (mm)	40
Maximum pressure (bar)	13 at 40°C
Thread size (")	1 1/2
Thread type	Male

