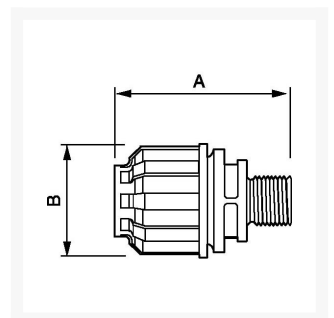




# Coupling 25 mm 3/4" male

## Product Images



## Additional Information

---

SKU	9ALRPM2527
EAN	08712418282818
Weight (kg)	0.075000
Length (mm)	71
Width (mm)	53
Construction (material)	Polyamide
Diameter Ø (mm)	25
Maximum pressure (bar)	13 at 40°C
Thread size (")	3/4
Thread type	Male

