

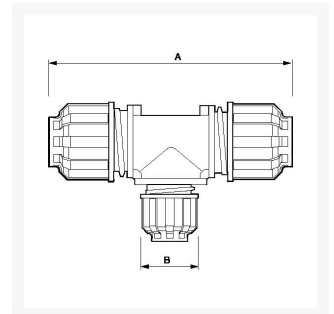


---

# Tee Reducing coupling 50 x 32 x 50 mm female

## Product Images

---



## Additional Information

---

SKU	9ALRTR5032
EAN	8712418403275
Weight (kg)	0.775000
Length (mm)	205
Width (mm)	65
Construction (material)	Polyamide
Diameter Ø (mm)	50 x 32 x 50
Maximum pressure (bar)	13 at 40°C

