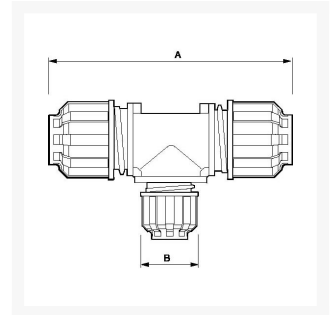




Tee Reducing coupling 32 x 25 x 32 mm female

Product Images



Additional Information

SKU	9ALRTR3225
EAN	08712418282757
Weight (kg)	0.328000
Length (mm)	158
Width (mm)	107
Construction (material)	Polyamide
Diameter Ø (mm)	32 x 25 x 32
Maximum pressure (bar)	13 at 40°C

