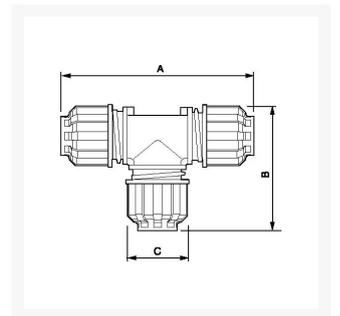




# Tee coupling 50 mm

## Product Images



## Additional Information

---

SKU	9ALRTE50
EAN	08712418360929
Weight (kg)	0.832000
Length (mm)	206
Width (mm)	93
Height (mm)	150
Construction (material)	Polyamide
Diameter Ø (mm)	50
Maximum pressure (bar)	13 at 40°C

