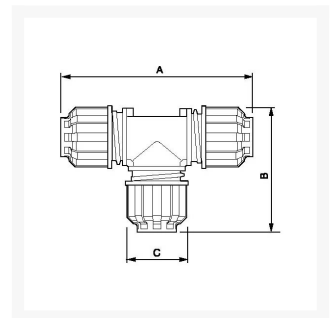




Tee coupling 32 mm

Product Images



Additional Information

SKU	9ALRTE32
EAN	08712418282719
Weight (kg)	0.426000
Length (mm)	158
Width (mm)	65
Height (mm)	107
Construction (material)	Polyamide
Diameter Ø (mm)	32
Maximum pressure (bar)	13 at 40°C

