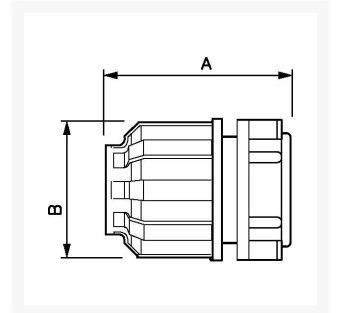




# End cap 50 mm

## Product Images



## Additional Information

---

SKU	9ALRBO50
EAN	3660058060615
Weight (kg)	0.291000
Length (mm)	83
Width (mm)	93
Construction (material)	Polyamide
Diameter Ø (mm)	50
Maximum pressure (bar)	13 at 40°C

