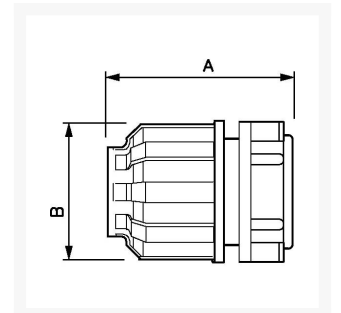




End cap 40 mm

Product Images



Additional Information

SKU	9ALRBO40
EAN	08712418282689
Weight (kg)	0.197000
Length (mm)	76
Width (mm)	81
Construction (material)	Polyamide
Diameter Ø (mm)	40
Maximum pressure (bar)	13 at 40°C

