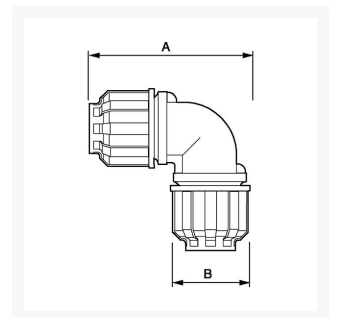




# Elbow coupling 50 mm 90 degrees

## Product Images



## Additional Information

---

SKU	9ALR9C50
EAN	08712418321906
Weight (kg)	0.583000
Length (mm)	150
Width (mm)	93
Construction (material)	Polyamide
Diameter Ø (mm)	50
Maximum pressure (bar)	13 at 40°C

