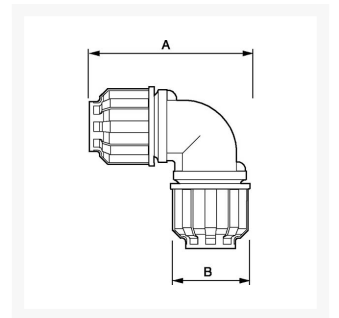




Elbow coupling 32 mm 90 graden

Product Images



Additional Information

SKU	9ALR9C32
EAN	08712418282597
Weight (kg)	0.241000
Length (mm)	109
Width (mm)	65
Construction (material)	Polyamide
Diameter Ø (mm)	32
Maximum pressure (bar)	13 at 40°C

