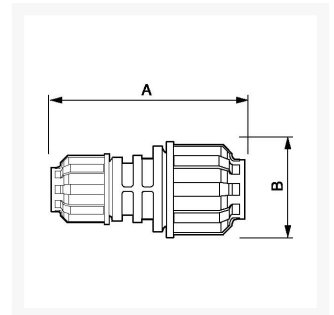




Reducer coupling 40 x 32 mm

Product Images



Additional Information

SKU	9ALRMR4032
EAN	08712418282566
Weight (kg)	0.300000
Length (mm)	123
Width (mm)	80
Construction (material)	Polyamide
Diameter Ø (mm)	40 x 32
Maximum pressure (bar)	13 at 40°C

