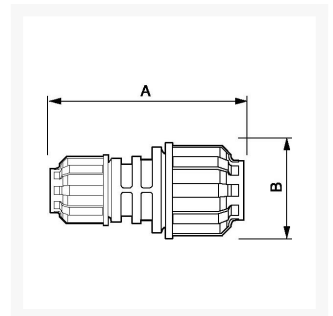


# Reducer coupling 25 x 20 mm

## Product Images



## Additional Information

---

SKU	9ALRMR2520
EAN	8712418282542
Weight (kg)	0.114000
Length (mm)	98
Width (mm)	53
Construction (material)	Polyamide
Diameter Ø (mm)	25 x 20
Maximum pressure (bar)	13 at 40°C

