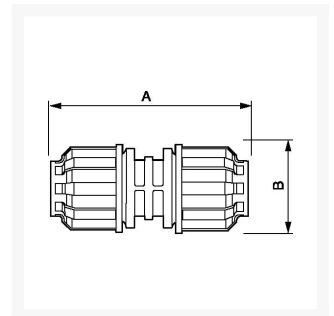




Coupling 20 mm

Product Images



Additional Information

SKU	9ALRUN20
EAN	08712418282504
Weight (kg)	0.091000
Maximum pressure (bar)	13 at 40°C

