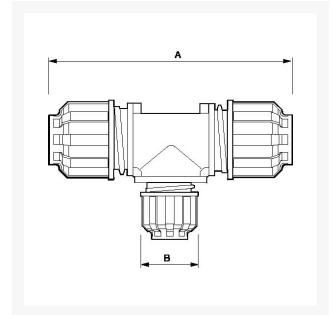




# Tee Reducing coupling 63 x 63 x 50 mm female

## Product Images



## Additional Information

---

SKU	9ALRTR6350
EAN	366005806191902
Weight (kg)	1.150000
Length (mm)	205
Width (mm)	80
Construction (material)	Polyamide
Diameter Ø (mm)	63
Maximum pressure (bar)	13 at 40°C

