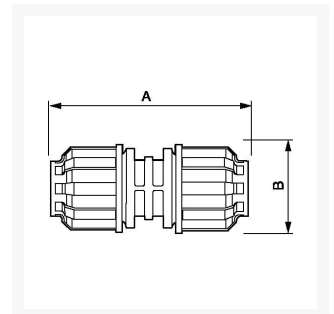




Equal female coupling 25 mm

Product Images



Additional Information

SKU	9ALRUN25
EAN	08712418282511
Weight (kg)	0.133000
Length (mm)	104
Width (mm)	53
Construction (material)	Polyamide
Diameter Ø (mm)	25
Maximum pressure (bar)	13 at 40°C

